



PaveSpacer[®] System

Overview 2024



Pave-T[®]

Pave-X[®]

Pave-TP[®]

Pave-XP[®]

Pave-I[®]

Pave-V

Pave-K[®]

PaveDrain-T[®]

PaveDrain-X[®]

Sizes of the spacers

Spacers are available in 5 different heights. Each sack is marked with a colour label, determining the height - the same goes for navigating in the pricelist.

Red colour = 10 mm height

Green colour = 20 mm height

Blue colour = 35 mm height

Orange colour = 45 mm height

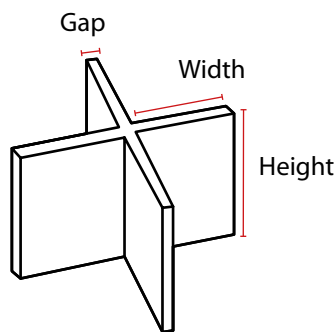
Brown colour = 60 mm height

The gap of the spacers varies between 3 mm and 10 mm, as shown in the box for each type of spacer. Quantity and price are connected so that lowest price per piece is obtained when ordering minimum one thousand pieces per unit.



Custom made spacers

Because we are handling both design and production in Denmark, both Pave-T, X, V, I, K and PaveDrain can be produced in sizes after needs. Both the height, width and the gap can be adjusted. Contact Excellent Systems A/S for price and delivering.



Packaging/amount

Pave-T, X, TP, XP, I, V, K and PaveDrain are packed in bags of two different sizes:



100 pcs. 1.000 pcs.

If ordering even larger quantities, we are of course able to pack suitable to onsite solution.

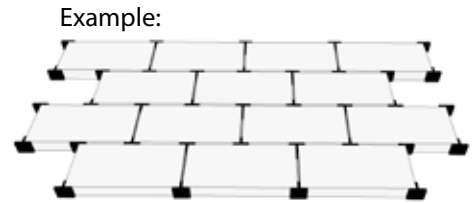
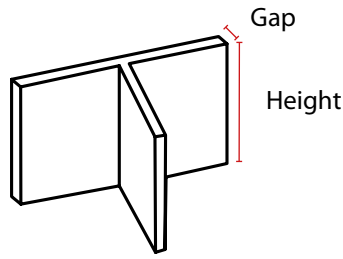
Material

The spacers are made of polyethylen (PELD/HD), a frostproof re-cycle plast material. Non toxic Made in Denmark. Production is run by ourselves in order to secure high quality products without waste or environmental hazzards according to our environmental philosophie and moral standards. Any second grade products can be re-used by regeneration and re-production.

Sales and delivery terms

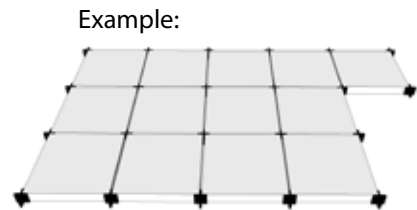
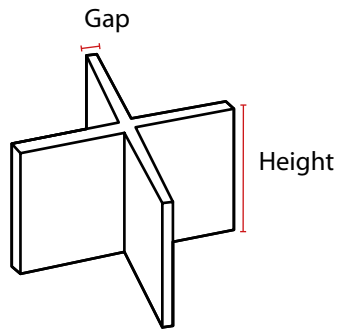
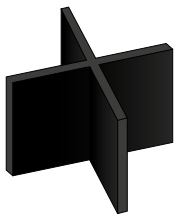
Most of the spacers are on-stock goods and can be shipped same day as ordering, however larger quantities and temporary out of stock situations means a generalproduction and delivery planning of 2 - 6 weeks from ordering.

Pave-T®



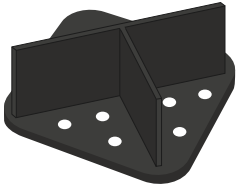
Height	Pieces	----- Gap -----							
		3 mm	4 mm	5 mm	6 mm	7 mm	8 mm	9 mm	10 mm
10 mm	1.000	3 mm	4 mm	5 mm	6 mm	7 mm	8 mm	9 mm	10 mm
20 mm	1.000	3 mm	4 mm	5 mm	6 mm	7 mm	8 mm	9 mm	10 mm
35 mm	1.000	3 mm	4 mm	5 mm	6 mm	7 mm	8 mm	9 mm	10 mm
45 mm	1.000	-	-	-	-	7 mm	8 mm	9 mm	10 mm
60 mm	1.000	3 mm	4 mm	5 mm	6 mm	-	-	-	-

Pave-X®

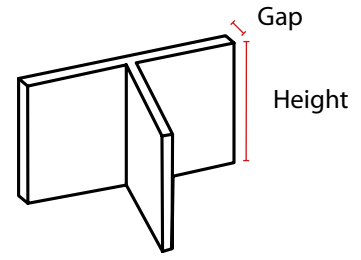


Height	Pieces	----- Gap -----							
		3 mm	4 mm	5 mm	6 mm	7 mm	8 mm	9 mm	10 mm
10 mm	1.000	3 mm	4 mm	5 mm	6 mm	7 mm	8 mm	9 mm	10 mm
20 mm	1.000	3 mm	4 mm	5 mm	6 mm	7 mm	8 mm	9 mm	10 mm
35 mm	1.000	3 mm	4 mm	5 mm	6 mm	7 mm	8 mm	9 mm	10 mm
45 mm	1.000	-	-	-	-	7 mm	8 mm	9 mm	10 mm
60 mm	1.000	-	-	-	-	-	-	-	10 mm

Pave-TP[®] (with plate)

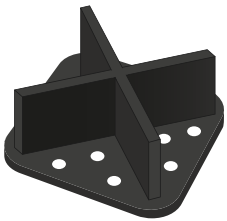


Application: Pave-TP comes with a flat bottom layer. This prevents the spacers from being pressed into the sand during application of the tiles. When the spacers are very low in height, this can especially be an advantage.

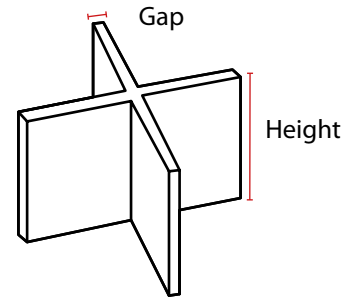


Height	Pieces	Gap							
		3 mm	4 mm	5 mm	6 mm	7 mm	8 mm	9 mm	10 mm
10 mm	1.000	3 mm	4 mm	5 mm	6 mm	7 mm	8 mm	9 mm	10 mm
20 mm	1.000	3 mm	4 mm	5 mm	6 mm	7 mm	8 mm	9 mm	10 mm
35 mm	1.000	3 mm	4 mm	5 mm	6 mm	7 mm	8 mm	9 mm	10 mm
45 mm	1.000	-	-	-	-	7 mm	8 mm	9 mm	10 mm
60 mm	1.000	3 mm	4 mm	5 mm	6 mm	-	-	-	-

Pave-XP[®] (with plate)



Application: Pave-X-P comes with a flat bottom layer. This prevents the spacers from being pressed into the sand, when the tiles are installed. Especially when the spacers are low in height, this can be an advantage.

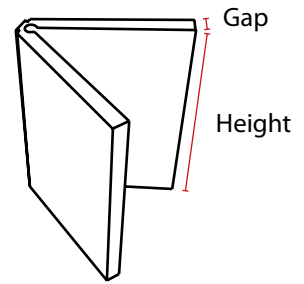


Height	Pieces	Gap							
		3 mm	4 mm	5 mm	6 mm	7 mm	8 mm	9 mm	10 mm
10 mm	1.000	3 mm	4 mm	5 mm	6 mm	7 mm	8 mm	9 mm	10 mm
20 mm	1.000	3 mm	4 mm	5 mm	6 mm	7 mm	8 mm	9 mm	10 mm
35 mm	1.000	3 mm	4 mm	5 mm	6 mm	7 mm	8 mm	9 mm	10 mm
45 mm	1.000	-	-	-	-	7 mm	8 mm	9 mm	10 mm
60 mm	1.000	-	-	-	-	-	-	-	10 mm

Pave-V®



Application: Pave-V is for triangular slabs and stones, protecting the tiles and assuring an even distance in the layout. Pave-V strengthens the installation, when placed in an environment of heavy traffic. The V shape is flexible to fit almost any triangular stone shape.

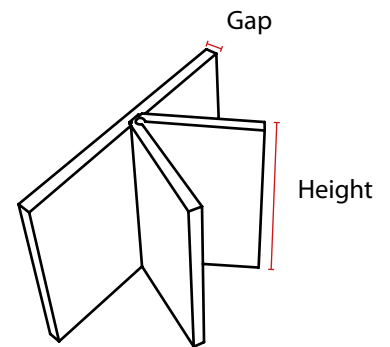


Height	Pieces	----- Gap -----			
		3 mm	4 mm	5 mm	6 mm
20 mm	1.000	3 mm	4 mm	5 mm	6 mm
35 mm	1.000	3 mm	4 mm	5 mm	6 mm

Pave-K®



Application: Pave-K is applied when making a layout pattern combining straight and triangular shapes. The Pave-V is flexible to almost any angle 5-105 grades.

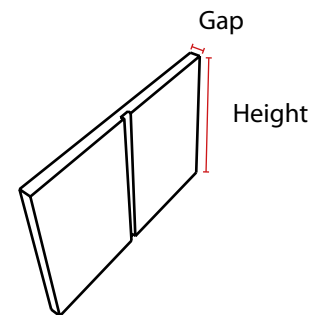


Height	Pieces	----- Gap -----			
		3 mm	4 mm	5 mm	6 mm
20 mm	1.000	3 mm	4 mm	5 mm	6 mm
35 mm	1.000	3 mm	4 mm	5 mm	6 mm

Pave-I®



Application: Pave-I is used for large tiles to ensure uniform lines and distances, both by hand and vacuum installations. The spacer ensures the joint distance and protects corners, even when affected by traffic. Furthermore, Pave-I is included when Pave-K is to be used.

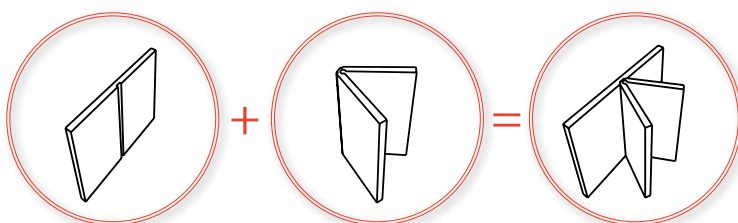
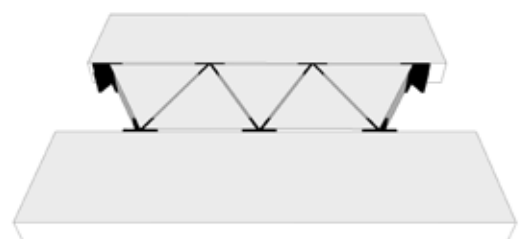


Height	Pieces	----- Gap -----				
		3 mm	4 mm	5 mm	6 mm	10 mm
20 mm	1.000	3 mm	4 mm	5 mm	6 mm	-
35 mm	1.000	3 mm	4 mm	5 mm	6 mm	-
60 mm	1.000	-	-	-	-	10 mm

Example:



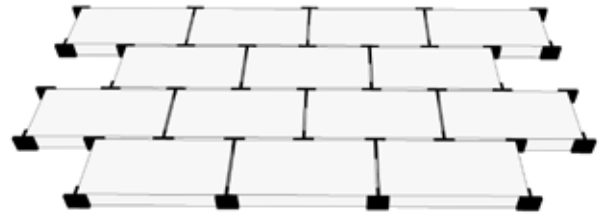
Example:



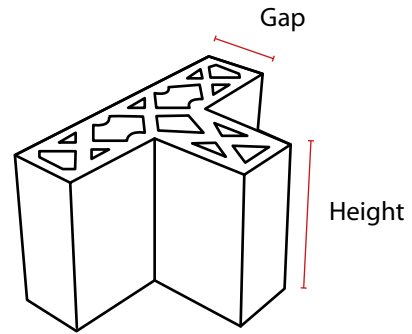
PaveDrain-T®



Example:



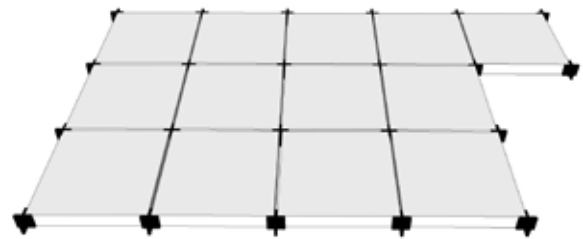
Height	Pieces	Gap 20 mm
35 mm	1.000	20 mm
48 mm	1.000	20 mm



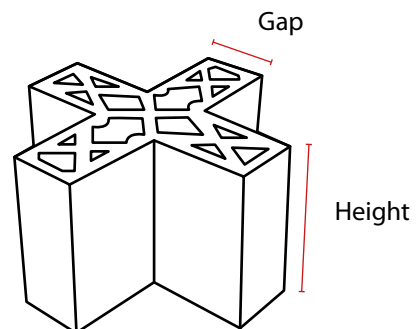
PaveDrain-X®



Example:



Height	Pieces	Gap 20 mm
35 mm	1.000	20 mm
48 mm	1.000	20 mm



Local drainage solution - is a new terminology in most countries. In short it is based on handling rainwater without leading it to sewerage.

PaveDrain® is specially developed to drain surface water.

PaveDrain® is a spacer for a paving pattern with open gaps. The spacer works as a support and strengthening solution for a 20 mm gap distance. They also provide an even distance securing the lines of the layout pattern. The functionality of the spacer is combined with a buildup bottom layer of gravel. The build up contains 3 layers with the bottom being of highest gravity, a mid section and a toplayer of fine gravity. The material in the upper layer for slab/stone placement is the same as used in the gap, there is no use of sand in this solution! The advantage of this solution is that rainwater will seep down directly to impact and not lead to sewerage.

The bottom works as a rainwater reservoir and can therefore take a large cloudburst and shortly after the pavement will be dry again not leaving any puddles. Establishment is also easier due to not having need of inclination.

Sideeffect: A gradual evaporation of rainwater from reservoir in summer time is cooling and in winter time the open gaps will lead earth warmth up, making snow melt faster.

The amount of spacers needed is determined by slab size and layout pattern.

Manufactured in a frostproof re-cycle material without toxins, negative sideeffects for extreme durability.



The correct solution is a combination of bottom material, slab/stone size and gap. The target is to obtain an open surface of 10-14% suitable for traffic kategori T2.

PaveSpacer[®] system

Exclusively in New Zealand

Award Plastics & Displays

www.awardplastics.co.nz